

WME-D

WME-D model, Lighting WME-DFB model (Lighting / Flashing / Buzzer)

- Standard Colors:
 1-Tier model / Red (-R), Amber (-Y), Green (-G)
 2-Tier model / Red-Amber (-RY)
 3-Tier model / Red-Amber-Green (-RYG)
 4-Tier model / Red-Amber-Green-Blue (-RYGB)
 5-Tier model / Red-Amber-Green-Blue-White (-RYGBC)



Colors	Red, Amber, Green, Blue, White
Globe	Polycarbonate resin, high shock resistance and heat resistance

The WME Series features an 80mm diameter modular design, up to 5 ultra-bright LED units, and a 93dB audible alarm for effective signaling and enhanced durability.

- Next generation LR Series illumination and modularity technology
- Built-in audible alarm with up to 93dB
- Can be installed vertically or horizontally
- Easy to install with included metal fittings
- NPN/PNP compatible (NPN only for AC models)
- IP65 rating - dust and water resistant (IP54 for FB type)

Specifications

Without buzzer				
Model	Rated Voltage	Number of tiers	Power Consumption	Mass
WME-102D	24V DC	1	0.9W	0.28kg
WME-202D		2	1.8W	0.37kg
WME-302D		3	2.7W	0.46kg
WME-402D		4	3.6W	0.55kg
WME-502D	100 - 240V AC	5	4.5W	0.64kg
WME-1M2D		1	1.6W	0.35kg
WME-2M2D		2	2.9W	0.44kg
WME-3M2D		3	4.2W	0.53kg
WME-4M2D		4	5.5W	0.62kg
WME-5M2D	5	6.8W	0.71kg	

Flashing, with buzzer (Flashing frequency approximately 60/minute)				
Model	Rated Voltage	Number of tiers	Power Consumption	Mass
WME-102DFB	24V DC	1	2.1W	0.28kg
WME-202DFB		2	3.0W	0.37kg
WME-302DFB		3	3.9W	0.46kg
WME-402DFB		4	4.8W	0.55kg
WME-502DFB	100 - 240V AC	5	5.7W	0.64kg
WME-1M2DFB		1	2.8W	0.35kg
WME-2M2DFB		2	4.1W	0.44kg
WME-3M2DFB		3	5.4W	0.53kg
WME-4M2DFB		4	6.7W	0.62kg
WME-5M2DFB	5	8.0W	0.71kg	

- You can order custom color combinations from one unit. Contact us for the lead time on custom orders.
- Custom orders with multiple units in the same color – Green (G), Blue (B), or White (C) – an additional cost per unit is added.

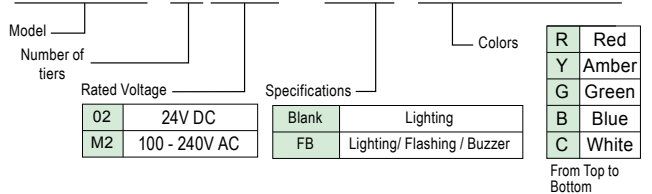
Replacement Parts for Changing Colors

Replacement Parts	Part Number	Replacement Parts	Part Number
Red LED Unit	B72100259-1F1*	Shaft for 4 tiers	S33552120-04180F1
Amber LED Unit	B72100259-2F1*	Shaft for 5 tiers	S33552120-04220F1
Green LED Unit	B72100259-3F1*	Metal Fitting for 1 tier	B85130021-5F1
Blue LED Unit	B72100259-4F1*	Metal Fitting for 2 tiers	B85130021-4F1
White LED Unit	B72100259-7F1*	Metal Fitting for 3 tiers	B85130021-3F1
Shaft for 1 tier	S33552120-0455F1	Metal Fitting for 4 tiers	B85130021-2F1
Shaft for 2 tiers	S33552120-04100F1	Metal Fitting for 5 tiers	B85130021-1F1
Shaft for 3 tiers	S33552120-04140F1	Head Cover	B3210085-F1*

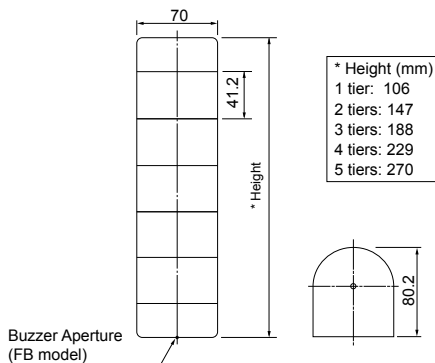
* LED Units and head cover for WME-A Series cannot be used with this product.

Model Code

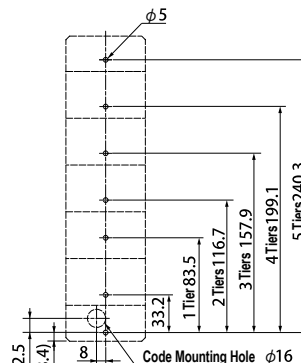
WME-502DFB-RYGBC



Dimensions (mm)



Installation Dimension Drawings



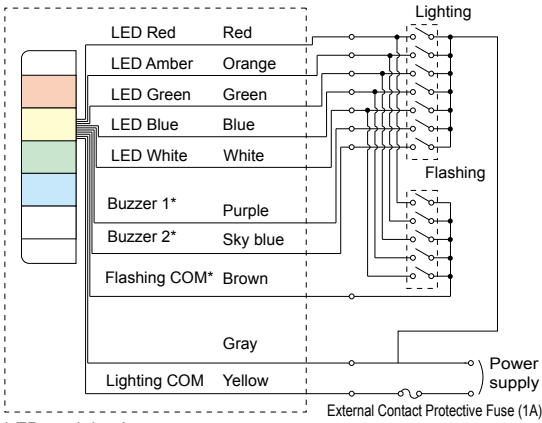
	Nominal Cross-sectional Area	Wire Type	Wire Length
Power Supply Wire	0.2mm ²	UL1061	1100
Signal Wire	0.2mm ²	UL1061	1100

- * To maintain IP54 for FB model, install the unit with the buzzer aperture pointing down.
- * A special metal fitting for each tier model is included

Wiring Diagram

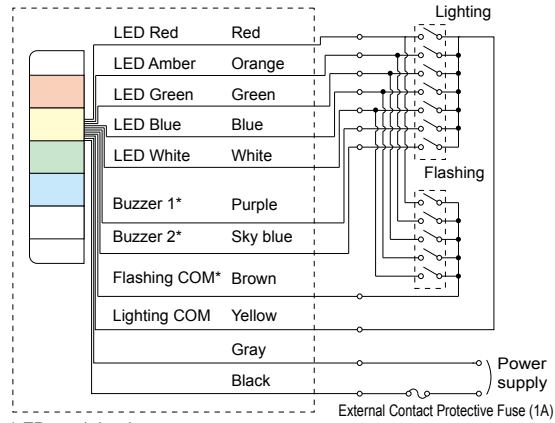
[WME-□□□□(FB) model]

• 24V DC



* FB model only

• 100 - 240V AC



* FB model only

■ Signal Wire Voltage and Current per tier

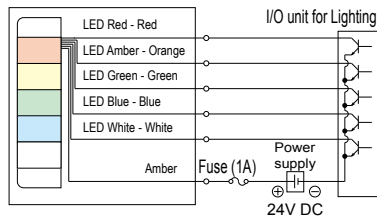
Model	Voltage	Signal Wire Voltage	LED					Audible	
			Signal Wire Current					Signal Wire Current	Inrush Current
			Red	Amber	Green	Blue	White		
WME-D	24V DC	24V DC	22 mA	26 mA	15 mA	29mA		40mA	100mA
	100 - 240V AC							None	

- For FB models, avoid simultaneous Lighting and Flashing inputs to a tier from an external contact as it may illuminate other tiers.
- Please note that the FB model requires 2 common signal lines on the PC output unit, for lighting and flashing.
- For safety, please make sure you have an external contact protective fuse in place.

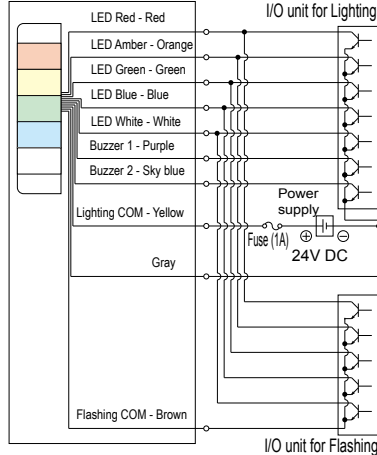
Wiring Examples: NPN (PNP) Transistor Driver

24V DC, NPN type transistor

• Flashing model

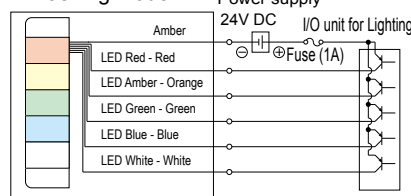


• Lighting / Flashing / Audible model

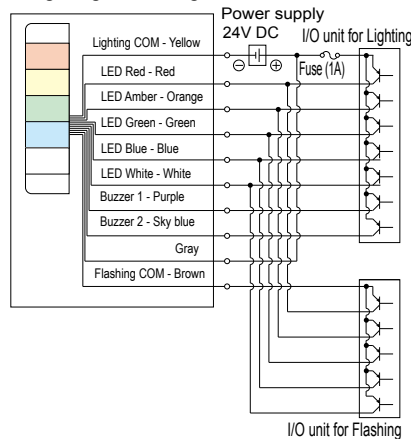


24V DC, PNP type transistor

• Flashing model

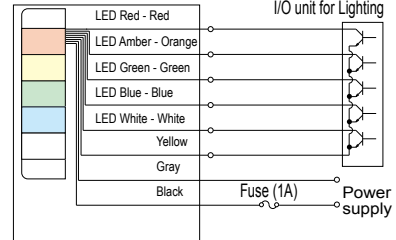


• Lighting / Flashing / Audible model

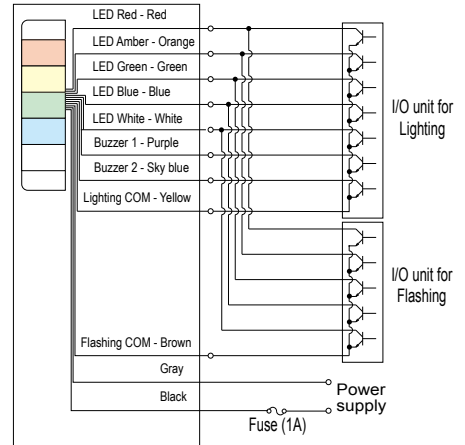


100 - 240V AC, NPN type transistor

• Flashing model



• Lighting / Flashing / Audible model



Model	Transistor (NPN or PNP)	Withstand Voltage	$V_c \geq 35V$
Current Capacity	$I_c \geq 100mA$ (LED Units) $I_c \geq 300mA$ (Buzzer)	Leakage Current	$I_L \leq 0.1mA$